

MODEL NUMBER:

TRIM KIT:

- T45502 Town Square S BATH/SHOWER Trim Kit LESS Valve Body.**
- T45501 Town Square S SHOWER ONLY Trim Kit LESS Valve Body.**
- T45500 Town Square S VALVE ONLY Trim Kit LESS Valve Body.**

*For use with R111 Series Pressure Balance Valves.
 See reverse side for available Rough Valves.*

GENERAL DESCRIPTION:

SHOWERHEAD

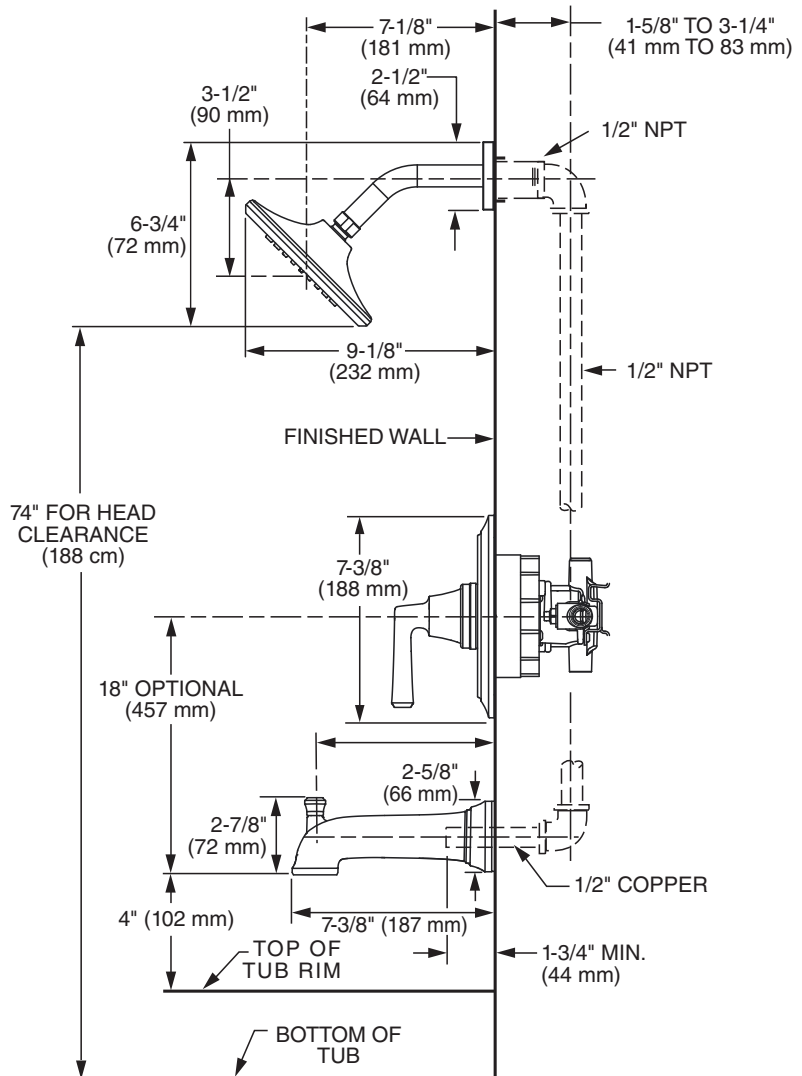
Maximum 2.5 gpm/9.5 L/min. flow rate.

WALL TUB SPOUT

Metal slip-on diverter spout.

WALL VALVE TRIM

Metal lever handle.
 Metal wall escutcheon.



ADA COMPLIANT



EPA
 WATERSENSE®
 CERTIFIED

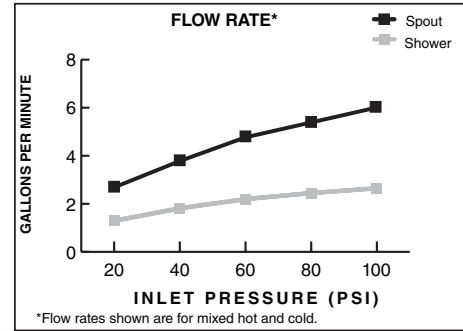
SUGGESTED SPECIFICATION

Bath/shower fitting shall feature rain showerhead with Max. 2.5 gpm/9.5L/min. flow rate. Fitting shall be: American Standard - Trim Kit Model # T45500___ and Valve Body Model #R111__.

CODES AND STANDARDS

These products meet or exceed the following codes and standards:

- ANSI A 117.1
- ASSE 1016
- ASME A112.18.1
- CSA B 125.1



TRIM KITS *	Product Number	Description	* TRIM & ROUGH MUST BE ORDERED SEPARATELY.	Finish Options			
				Polished Chrome	PVD Brushed Nickel	Polished Nickel	Legacy Bronze
				002	295	013	278
	T455502	Bath/Shower Trim Kit. LESS Valve Body.	ADA				
	T455501	Shower Only Trim Kit. LESS Valve Body.	ADA				
	T455500	Valve Only Trim Kit. LESS Valve Body.	ADA				

ROUGH VALVE BODIES	Product Number	Description
	R111	Rough Valve Body less trim. Universal inlets/outlets.
	R111SS	Rough Valve Body less trim. Universal inlets/outlets with Screwdriver Stops.
	R115	Rough Valve Body less trim. Female Thread inlets/outlets.
	R115SS	Rough Valve Body less trim. Female Thread inlets/outlets with Screwdriver Stops.
	R117	Rough Valve Body less trim. PEX inlets/universal outlets for Crimp Ring PEX system (ASTM F1807).
	R117SS	Rough Valve Body less trim. PEX inlets/universal outlets for Crimp Ring PEX system (ASTM F1807) with Screwdriver Stops.
	R118	Rough Valve Body less trim. PEX inlets/universal outlets for Cold Expansion PEX system (ASTM F1960).
	R118SS	Rough Valve Body less trim. PEX inlets/universal outlets for Cold Expansion PEX system (ASTM F1960) with Screwdriver Stops.
	R119	Rough Valve Body less trim. CPVC inlets/universal outlets.
	R119SS	Rough Valve Body less trim. CPVC inlets/universal outlets with Screwdriver Stops.

ADA Meets the American Disabilities Act Guidelines and ANSI A117.1 Requirements for the physically challenged.